

# GE Digital Energy Power Quality

## Introduction

GE Surge Protective Devices (SPD) are engineered for reliability, flexibility and long life in the most extreme surge environment. The true maximum surge current rating, unlimited by fusing, has been proven successful in third-party tests.

These SPD models are available in a standard NEMA 12 enclosure. Optional enclosure types include NEMA 1 and 4X, flushmount, surface mount and stainless steel. Third-party tested per IEEE C62.62 and NEMA LS-1 for the rated  $8 \times 20 \mu\text{s}$  surge current, per mode with fusing included. Standard features include a surge counter, audible alarm, indicating lights, dry contacts and an integral surge rated disconnect.\*\* Rating options range from 65kA to 300kA per mode (130kA to 600kA per phase).

All mode protection is provided with surge components (MOVs) connected on the phase to neutral, phase to ground, and neutral to ground paths as appropriate for the voltage configuration.

\*\* Integral surge rated disconnect is only available for WMN1 and WMN4 suffix catalog numbers

## Features and Benefits

- > UL 1449 3<sup>rd</sup> Edition, Type 2
- > cUL, CSA C22.2
- > UL 96A, for use in lightning protection systems
- > UL 1283, EMI/RFI noise filter
- > Integral surge rated disconnect (optional)
- > Tranquell™ ME device tested to a minimum of 5,000 category C3 impulses (10kA, 20kV) per mode
- > Tranquell™ HE device tested to a minimum of 20,000 category C3 impulses (10kA, 20kV) per mode
- > Device tested to a minimum of 5,000 longwave ( $10 \times 1000 \mu\text{s}$ ) impulses per mode
- > Thermal fuse technology in combination with surge rated fuses
- > Form C dry contacts for remote monitoring
- > Green status indicating lights, red alarm light
- > Audible alarm with test/disable feature
- > Surge counter
- > 5 year limited warranty (standard), 10 year limited warranty (optional)

## Wallmount Tranquell™ HE & ME Surge Protective Device (SPD)



# Catalog #

# WMN

	Nominal Voltage (Volts RMS)	System Voltage Configuration	MCOV Max. Continuous Operating Voltage L-N/G (Vrms)	Maximum Surge Current Capacity			Suffix	Enclosure Description	NEMA	Mounting	Disconnect		
				Exposure Level	Per Mode	Per Phase							
<b>THE</b>	<b>120S</b>	120/240	1 Ph, 3 W + G	150	<b>065</b>	<b>ME</b>	65kA	130kA	<b>1</b>	Painted Steel	1	Surface	Y
<b>TME</b>	<b>120Y</b>	120Y/208	3 Ph, 4 W + G	150	<b>080</b>	<b>ME</b>	80kA	160kA	<b>12S</b>	Painted Steel	12	Surface	N
	<b>220Y</b>	220Y/380	3 Ph, 4 W + G	320	<b>100</b>	<b>ME</b>	100kA	200kA	<b>12F</b>	Painted Steel	12	Flush	N
	<b>240D</b>	240 Delta	3 Ph, 3 W	270	<b>125</b>	<b>HE</b>	125kA	250kA	<b>4</b>	Fiberglass	4X	Surface	Y
	<b>240H</b>	120/240 Delta HL	3 Ph, 4 W + G	150/270 HL	<b>150</b>	<b>HE</b>	150kA	300kA	<b>4S</b>	Painted Steel	4	Surface	N
	<b>240Y</b>	240Y/415	3 Ph, 4 W + G	320	<b>200</b>	<b>HE</b>	200kA	400kA	<b>4X</b>	Stainless Steel	4X	Surface	N
	<b>277Y</b>	277Y/480	3 Ph, 4 W + G	320	<b>250</b>	<b>HE</b>	250kA	500kA					
	<b>347Y</b>	347Y/600	3 Ph, 4 W + G	420	<b>300</b>	<b>HE</b>	300kA	600kA					
	<b>480D</b>	480 Delta	3 Ph, 3 W	550									
	<b>600D</b>	600 Delta	3 Ph, 3 W	625									



## Catalog # example: THE277Y150WMN1

- 277Y/480 V, 3 Ph, 4 W + G
- 150kA per mode, 300kA per phase
- NEMA 1 surface mount

## WMN1-WMN4 Protection Ratings

Voltage Code	120S / 120Y				240D		240H						220Y / 240Y / 277Y				347Y				480D		600D		
	L-N	L-G	N-G	L-L	L-G	L-L	L-N	HL-N	L-G	HL-G	N-G	L-L	HL-L	L-N	L-G	N-G	L-L	L-N	L-G	N-G	L-L	L-G	L-L	L-G	L-L
UL 1449, 3 <sup>rd</sup> Edition Voltage Protection Ratings (VPR) (assigned UL rating)	1000	1000	700	1200	1500	1800	1000	1500	1000	1500	700	1200	2500	1500	1500	1000	2000	1800	1500	1500	2500	2000	4000	2000	4000
UL 1449, 2 <sup>nd</sup> Edition Suppression Voltage Ratings (SVR) (assigned UL rating) *	400	400	400	-	800	-	400	700	400	700	400	-	-	800	800	800	-	1000	1000	900	-	1500	-	1500	-

## WMN12F-WMN12S-WMN4S-WMN4X Protection Ratings

Voltage Code	120S / 120Y				240D		240H						220Y / 240Y / 277Y				347Y				480D		600D		
	L-N	L-G	N-G	L-L	L-G	L-L	L-N	HL-N	L-G	HL-G	N-G	L-L	HL-L	L-N	L-G	N-G	L-L	L-N	L-G	N-G	L-L	L-G	L-L	L-G	L-L
UL 1449, 3 <sup>rd</sup> Edition Voltage Protection Ratings (VPR) (assigned UL rating)	900	800	700	1200	1200	1800	900	1200	800	1200	700	1200	2100	1500	1200	1200	2000	1500	1500	1500	2500	1800	3000	2000	4000
UL 1449, 2 <sup>nd</sup> Edition Suppression Voltage Ratings (SVR) (assigned UL rating) *	400	400	400	-	800	-	400	700	400	700	400	-	-	800	800	800	-	1000	1000	900	-	1500	-	1500	-

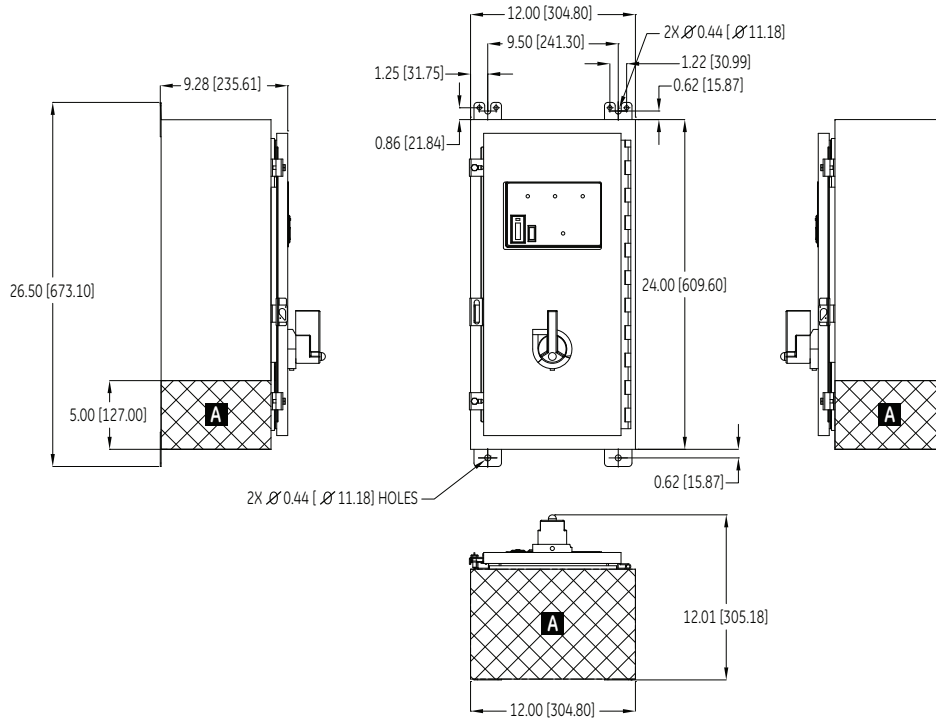
\* NOTE: SVR Ratings are no longer assigned by UL and are included in the table above for reference purposes only.

## Technical Specifications

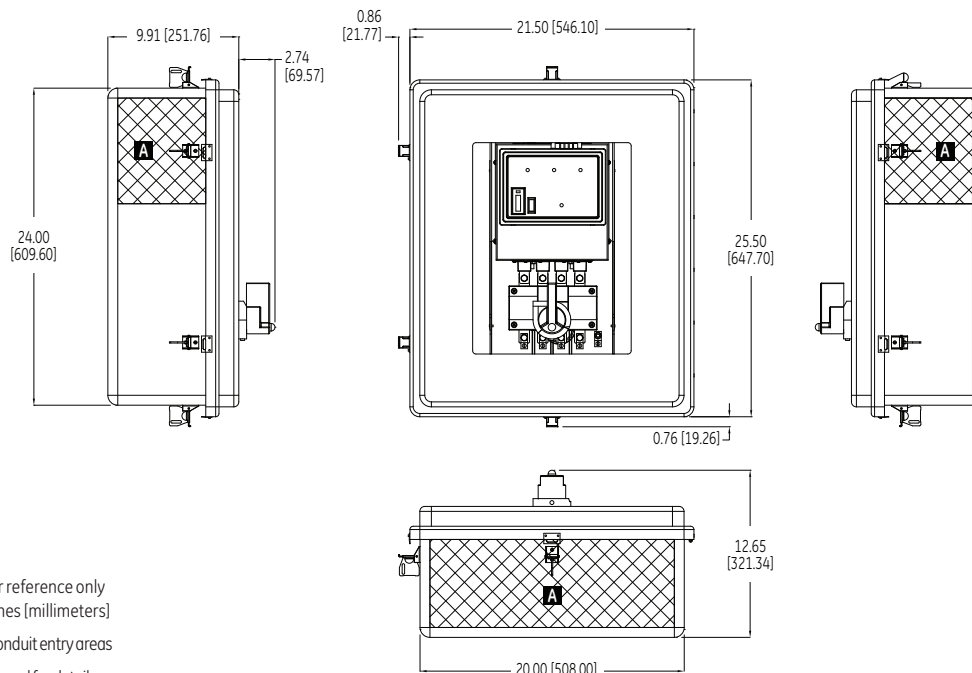
Nominal Discharge Current ( $I_{n1}$ )	20kA
Short Circuit Current Rating (SCCR)	200kA (60A breaker required)
Operating Frequency	50/60 Hz
Connection	6 to 2/0 Conductors, Parallel Connected
Operating Temperature	-40° F to 149° F (-40° C to +65° C)
Operating Humidity	0% to 95% Non-Condensing
Weight	TME 32 lbs. (14.51 kg) THE 50 lbs. (22.68 kg)

## Dimensions

### WMN1D Suffix



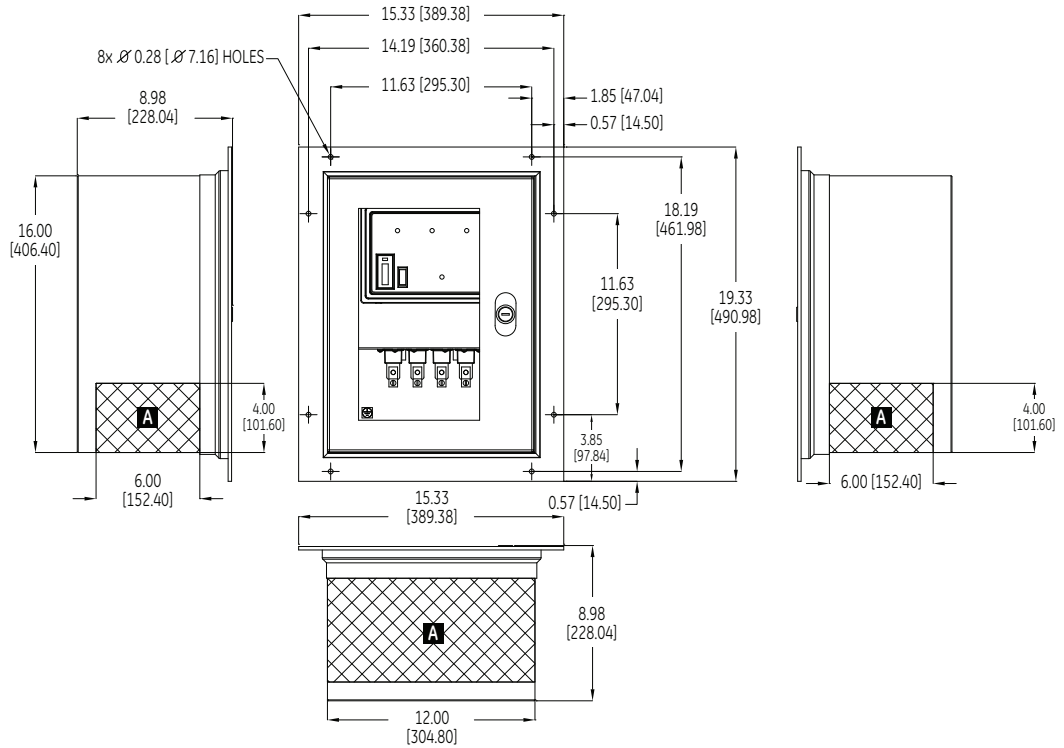
### WMN4D Suffix



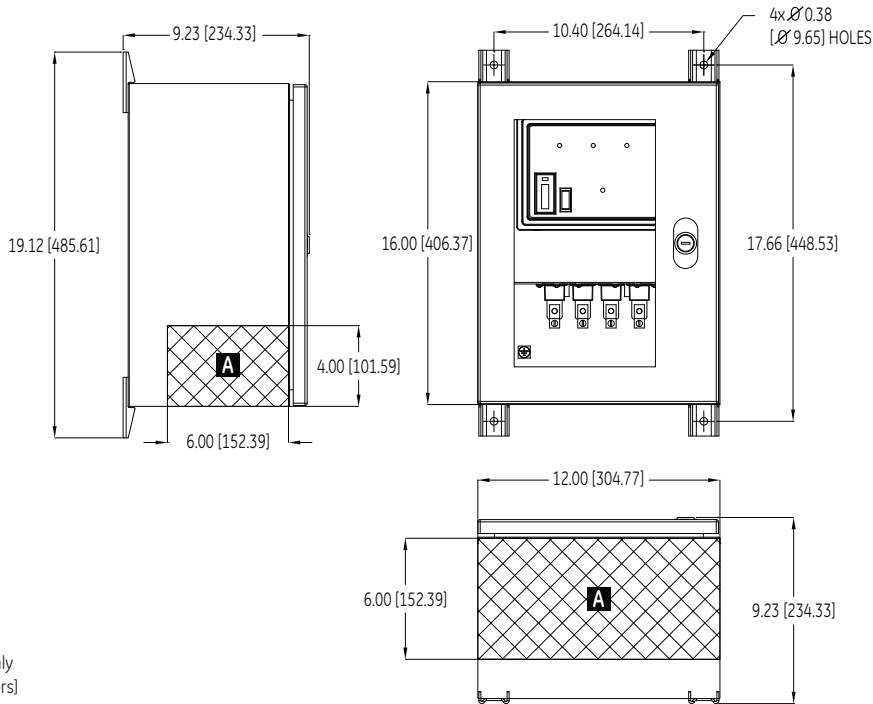
**NOTE:**  
All dimensions are for reference only and are shown in Inches [millimeters]  
"A" = Recommended conduit entry areas  
Refer to instruction manual for details

## Dimensions

### WMN12F Suffix



### WMN12S, WMN4S, WMN4X Suffix



**NOTE:**  
All dimensions are for reference only and are shown in Inches [millimeters]  
"A" = Recommended conduit entry areas  
Refer to instruction manual for details



GE Digital Energy - Power Quality  
830 W 40th Street, Chicago, IL 60609 USA  
800 637 1738 [www.gepowerquality.com](http://www.gepowerquality.com)

Information subject to change without notice. Please verify all details with GE.  
DEA-320 (3/10) © 2010 General Electric Company All Rights Reserved