

# GE Digital Energy Power Quality

## Introduction

GE Surge Protective Devices (SPD) feature a compact and economical design for use at medium exposure, distribution or branch panels.

The Tranquell™ LE and ME Series are mounted in a NEMA 12 enclosure. An optional flushmount design and NEMA 4X enclosure are also available. Third-party tested per IEEE C62.62 and NEMA LS-1 for the rated  $8 \times 20 \mu\text{s}$  surge current, per mode with fusing included. These units come standard with indicating lights and dry contacts. Ratings are available from 25kA – 100kA per mode, 50kA - 200kA per phase.

GE surge protective devices provide all mode protection, with surge components (MOVs) connected on the phase to neutral, phase to ground, and neutral to ground paths as appropriate for the voltage configuration.

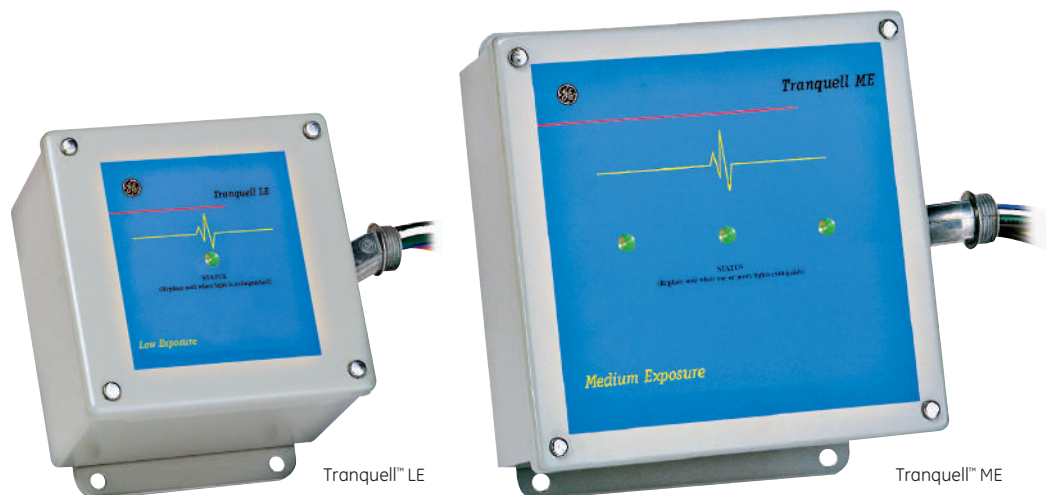
## Features and Benefits

- > UL 1449 3<sup>rd</sup> Edition, Type 2
- > cUL, CSA C22.2
- > UL 96A, for use in lightning protection systems (ME Models Only)
- > UL 1283, Tranquell™ ME devices with EMI/RFI noise filter
- > Tranquell™ ME device tested to a minimum of 5,000 Category C3 impulses (10kA, 20kV) per mode
- > Tranquell™ ME device tested to a minimum of 5,000 Longwave (10x1000 $\mu\text{s}$ ) impulses per mode
- > Tranquell™ LE device tested to a minimum of 3,500 category C3 impulses (10kA, 20kV) per mode
- > Thermal fuse technology
- > Form C dry contacts for remote monitoring
- > Green status indicating LEDs per phase
- > Standard heavy gauge painted steel NEMA 12 construction, available in surface or flushmount
- > Durable fiberglass construction for NEMA 4X
- > 5 year limited warranty (standard), 10 year limited warranty (optional)

Wallmount

# Tranquell™ LE & ME

Surge Protective Device (SPD)



## Technical Specifications


Nominal Discharge Current (I <sub>n</sub> )	TLE 10kA TME 20kA
Short Circuit Current Rating (SCCR)	65kA (30A breaker required)
Operating Frequency	50/60 Hz
Connection	10 AWG Conductors, Parallel Connected
Operating Temperature	-40° F to 149° F (-40° C to +65° C)
Operating Humidity	0% to 95% Non-Condensing
Weight	TLE 17 lbs. (7.7 kg) TME 21 lbs. (9.5 kg)

## Catalog #

**WM**

	Nominal Voltage (Volts RMS)	System Voltage Configuration	MCOV Max. Continuous Operating Voltage L-N/G(Vrms)	Maximum Surge Current Capacity			Suffix*	Description	NEMA Enclosure	Mounting		
				Exposure Level	Per Mode	Per Phase						
<b>TLE</b>	<b>120S</b>	120/240	1 Ph, 3 W + G	150	<b>025</b>	LE	25kA	50kA		Painted Steel	12	Surface
<b>TME</b>	<b>120Y</b>	120Y/208	3 Ph, 4 W + G	150	<b>050</b>	LE	50kA	100kA		<b>F</b> Painted Steel	12	Flush
	<b>220Y</b>	220/380	3 Ph, 4 W + G	320	<b>065</b>	ME	65kA	130kA		<b>4</b> Fiberglass	4X	Surface
	<b>240D</b>	240 Delta	3 Ph, 3 W	270	<b>080</b>	ME	80kA	160kA				
	<b>240H</b>	120/240 Delta HL	3 Ph, 4 W + G	150/270 HL	<b>100</b>	ME	100kA	200kA				
	<b>240Y</b>	240/415	3 Ph, 4 W + G	320								
	<b>277Y</b>	277Y/480	3 Ph, 4 W + G	320								
	<b>480D</b>	480 Delta	3 Ph, 3 W	550								

\* All suffix features are mutually exclusive



## TLE Protection Ratings

Voltage Code	120S / 120Y				240D		240H						220Y / 240Y / 277Y				480D		
	L-N	L-G	N-G	L-L	L-G	L-L	L-N	HL-N	L-G	HL-G	N-G	L-L	HL-L	L-N	L-G	N-G	L-L	L-G	L-L
UL 1449, 3 <sup>rd</sup> Edition Voltage Protection Ratings (VPR) (assigned UL rating)	600	600	600	1000	900	1800	600	1200	600	1000	600	1000	1800	1200	1000	1200	1800	1800	4000
UL 1449, 2 <sup>nd</sup> Edition Suppression Voltage Ratings (SVR) (assigned UL rating) *	500	500	500	—	800	—	500	800	500	800	500	—	—	800	800	800	—	1500	—

## TME Protection Ratings

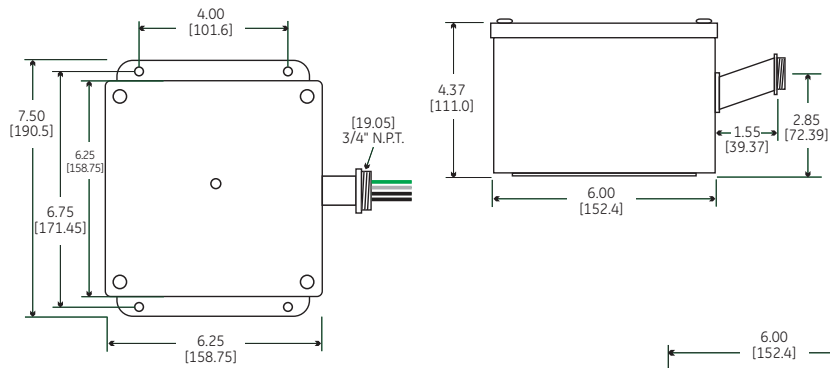
Voltage Code	120S / 120Y				240D		240H						220Y / 240Y / 277Y				480D		
	L-N	L-G	N-G	L-L	L-G	L-L	L-N	HL-N	L-G	HL-G	N-G	L-L	HL-L	L-N	L-G	N-G	L-L	L-G	L-L
UL 1449, 3 <sup>rd</sup> Edition Voltage Protection Ratings (VPR) (assigned UL rating)	900	1000	900	1500	1500	2000	900	1500	1000	1500	900	1500	2500	1500	1500	1500	2500	1800	4000
UL 1449, 2 <sup>nd</sup> Edition Suppression Voltage Ratings (SVR) (assigned UL rating) *	400	400	400	—	700	—	400	700	400	700	400	—	—	900	800	1500	—	1500	—

\* NOTE: SVR Ratings are no longer assigned by UL and are included in the table above for reference purposes only.

**NEMA 12 –  
Surfacemount  
Dimensions –  
WM Suffix**

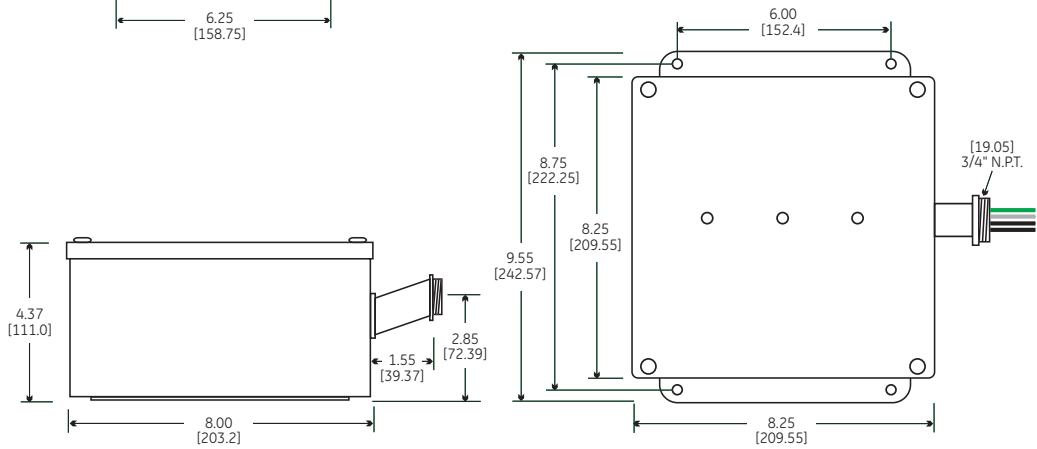
**TLE**

**25, 50kA  
per mode**



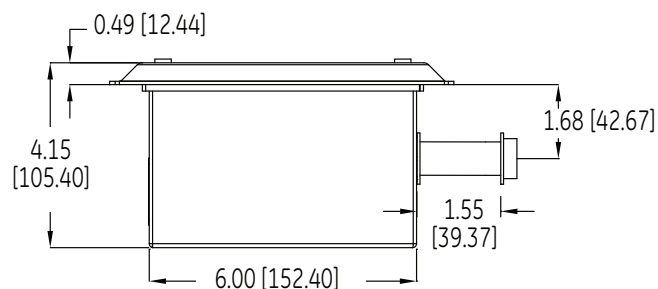
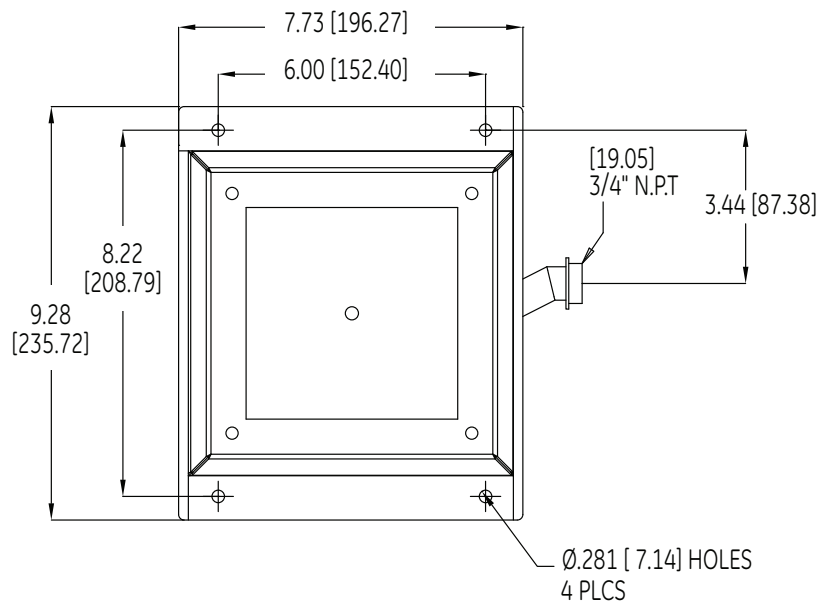
**TME**

**65, 80, 100kA  
per mode**



**TLE Flushmount  
Dimensions –  
WMF Suffix**

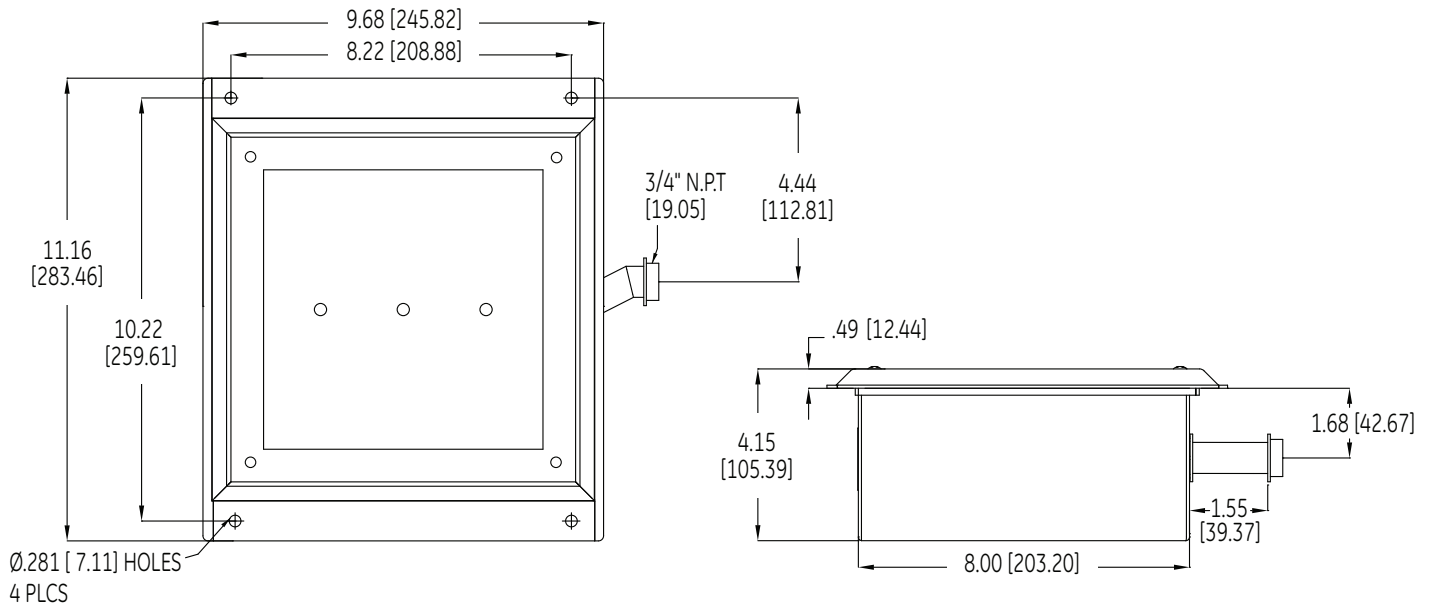
**25, 50kA  
per mode**



**NOTE:**  
All dimensions are for reference only  
and are shown in Inches [millimeters]  
Refer to instruction manual for details

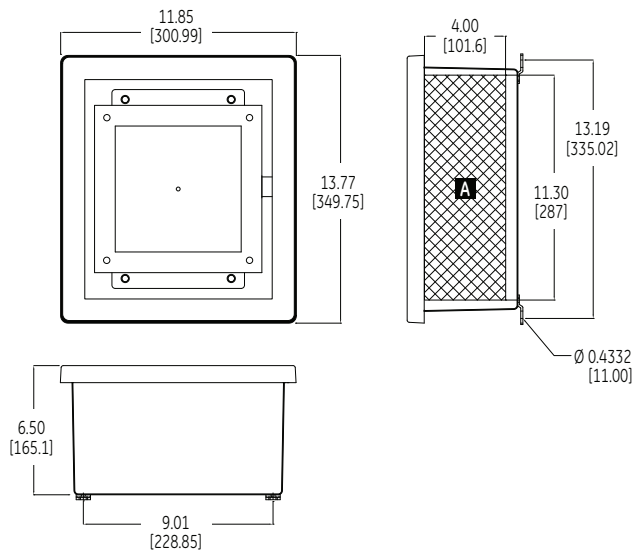
## TME Flushmount Dimensions – WMF Suffix

65, 80, 100kA per mode



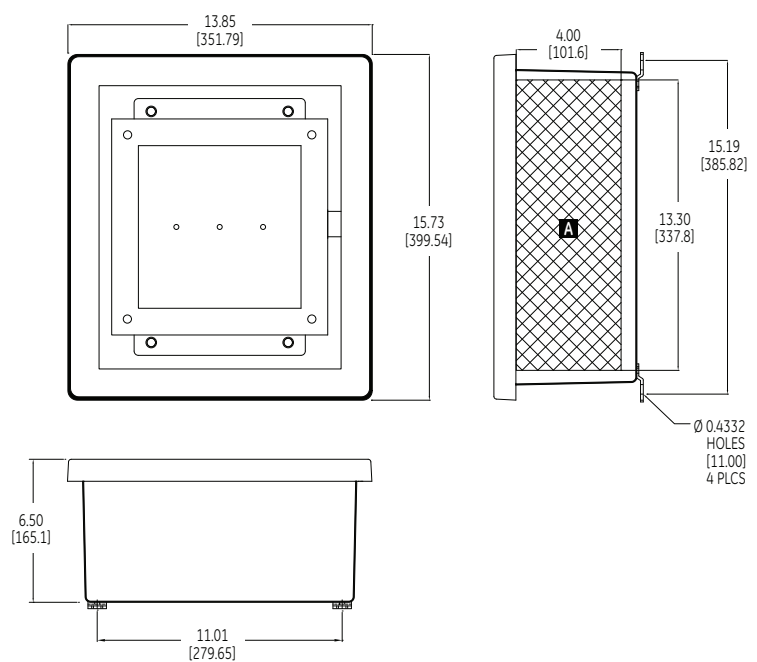
## TLE NEMA 4X Dimensions – WM4 Suffix

25, 50kA per mode



## TME NEMA 4X Dimensions – WM4 Suffix

65, 80, 100kA per mode



**NOTE:**  
All dimensions are for reference only and are shown in Inches [millimeters]

"A" = Recommended conduit entry areas

Refer to instruction manual for details



GE Digital Energy – Power Quality  
830 W 40th Street, Chicago, IL 60609 USA  
800 637 1738 [www.gepowerquality.com](http://www.gepowerquality.com)

Information subject to change without notice. Please verify all details with GE.  
DEA-300 (3/10) © 2010 General Electric Company All Rights Reserved